

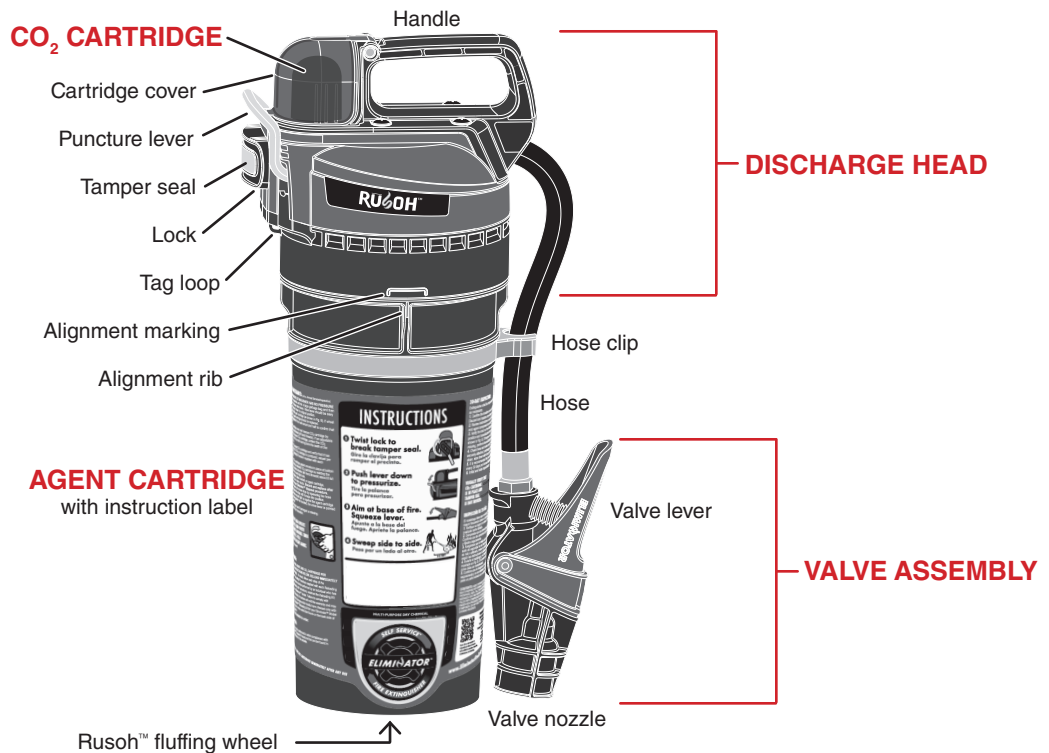
**ELIMINATOR®**  
**SELF SERVICE, RELOADABLE,**  
**DRY CHEMICAL FIRE EXTINGUISHER**

This Self Service Manual describes all approved service procedures for the Rusoh® Eliminator® fire extinguisher, including the following:

- I. Replacing Tamper Seal (page 2)
- II. Replacing Hose Strap (page 2)
- III. Replacing Rusoh™ Fluffing Wheel (page 3)
- IV. Replacing Handle Assembly (page 3)
- V. Replacing Valve Assembly (page 4)
- VI. Replacing Instruction Label (page 4)
- VII. Reloading Information (page 5)
- VIII. Disposal Procedure (page 5)
- IX. Replacement Parts and Accessories (page 6)



Fig. A



REFER TO THE OWNER'S MANUAL FOR INSTALLATION, OPERATION, 30-DAY INSPECTION, ANNUAL INSPECTION, AND WARRANTY INFORMATION.

For more information, visit [www.rusoh.com](http://www.rusoh.com).

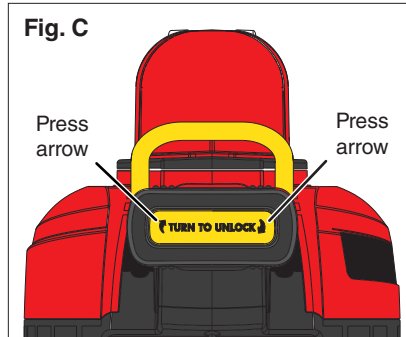
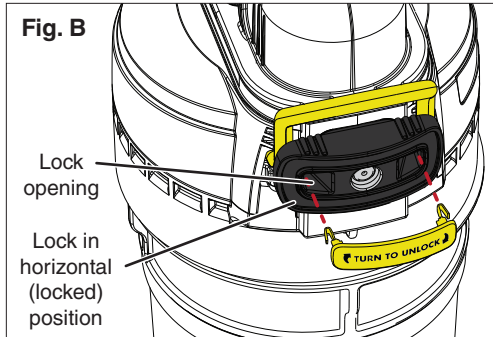
**SAVE THIS SELF SERVICE MANUAL FOR FUTURE REFERENCE.**

## Self Service Procedures

**IMPORTANT:** After repairing/replacing any parts of this fire extinguisher, it is recommended that you perform the Annual Inspection described in the Owner's Manual.

### I. Replacing Tamper Seal

1. Ensure the lock on the discharge head is in the horizontal (locked) position (Fig. B).
2. Position the new tamper seal so the text is right side up and the snap hooks align with the lock openings. Using two fingers, gently press the tamper seal arrows (Fig. C) until you feel the seal snap into position on both sides of the lock.



### II. Replacing Hose Strap

*Tools required: flat-head screwdriver, cutting pliers or shears*

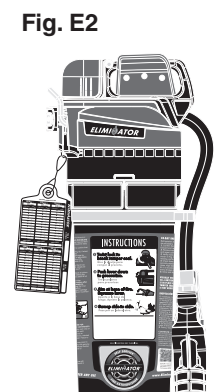
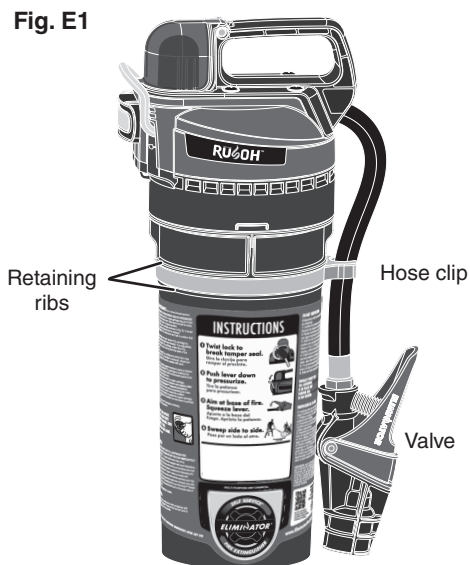
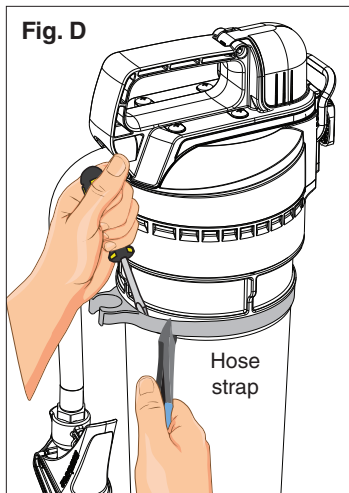
1. Before you begin, pull the hose out of the hose clip, if secured. Press down on the clip to create a gap between the hose strap and the agent cartridge and insert the tip of a flat-head screwdriver in the gap (Fig. D).

Carefully pry the old hose strap away from the agent cartridge far enough to apply a cutting pliers or shears onto the strap. Cut and discard the strap.

2. Place the new hose strap in hot tap water (120°F maximum) for approximately 1 minute for easier installation.
3. While the hose strap is still warm, slide the new hose strap (with the solid surface of the hose clip facing up) onto the bottom of the agent cartridge.

Slide the strap up until it fits between the two retaining ribs above the instruction label. This works best if you hook one side over the bottom rib and work it around the cartridge until the strap snaps into place (Fig. E1).

4. Rotate the strap until the hose clip is directly under the hose and push the hose into the clip (Fig. E1). Rotate the valve so it is tight against the agent cartridge (Fig. E2).



### III. Replacing Rusoh™ Fluffing Wheel

*Tools required: handheld screwdriver with T25 tamper-resistant TORX\* bit*

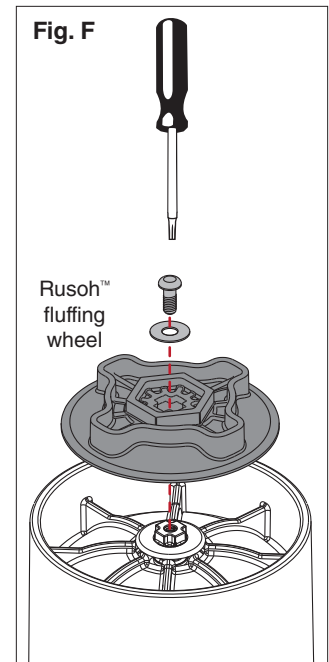
1. Invert the agent cartridge. While holding the Rusoh™ wheel stationary with one hand, use a handheld screwdriver with a T25 tamper-resistant TORX\* bit to loosen and remove the screw that retains the wheel to the agent cartridge (Fig. F).

**NOTE:** The screw is locked in place with adhesive; the initial torque to loosen the screw will be high. Remove and recycle the damaged wheel.

2. Place the new Rusoh™ wheel onto the bottom of the inverted agent cartridge, fitting the cross-shaped cutout over the corresponding cross-shaped hole in the wheel (Fig. F).
3. Using the provided screw and washer, secure the wheel to the agent cartridge with a handheld screwdriver (Fig. F).

**NOTICE:** Overtightening can result in the stripping of screws.

4. Ensure the Rusoh™ wheel rotates properly by fluffing the agent cartridge (refer to the Annual Inspection procedure in the Owner's Manual or on the extinguisher instruction label).



### IV. Replacing Handle Assembly

*Tools required: power screwdriver, T25 tamper-resistant TORX\* bit, adjustable pliers, rubber mallet*

#### **▲WARNING!**

- Before removing the CO<sub>2</sub> cartridge, ensure the fire extinguisher is not pressurized. Removing the CO<sub>2</sub> cartridge from a pressurized extinguisher could result in agent discharge and/or serious injury.
- The CO<sub>2</sub> cartridge is under high pressure. Do not puncture or damage the CO<sub>2</sub> cartridge. Puncturing or damaging the CO<sub>2</sub> cartridge could result in serious injury or death.
- Do not heat or locate the CO<sub>2</sub> cartridge near a heat source, such as an engine or stove. This could result in a rupture, which could result in serious injury or death.
- Discharge from the CO<sub>2</sub> cartridge is very cold and can cause frostbite.

1. To ensure the extinguisher is not pressurized, aim the nozzle upwards into a large garbage bag. Then slowly squeeze the hose valve lever (Fig. G). The valve lever should be easy to squeeze and should return to its original position. Replace the valve assembly if it does not function as stated.
2. Squeeze the ribbed sides of the red CO<sub>2</sub> cartridge cover and lift it open. Remove the CO<sub>2</sub> cartridge by twisting it **clockwise**. A strap wrench or adjustable pliers may be needed if the cartridge is snug.

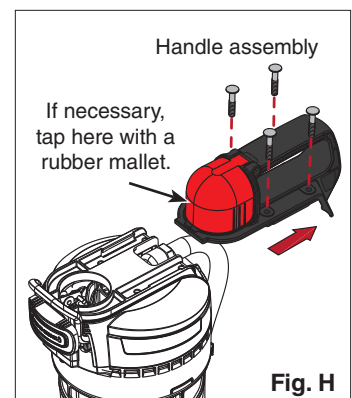
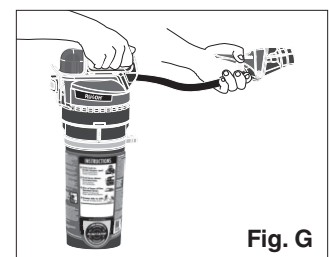
**NOTE:** The CO<sub>2</sub> cartridge has reverse threads, so it turns opposite of normal threaded components.

**NOTICE:** If an adjustable pliers is needed to loosen the CO<sub>2</sub> cartridge, place a cloth over the cartridge before using the pliers. This will prevent the teeth of the pliers from marring the cartridge.

3. Remove the four screws that secure the handle to the extinguisher using a power screwdriver with a T25 tamper-resistant TORX\* bit attached.
4. Slide the old handle towards the hose. Recycle the damaged parts.

**NOTE:** The handle is designed to fit tightly in the grooves. It may be necessary to lightly tap the handle assembly with a rubber mallet in the removal direction to help ease the handle out of the grooves (Fig. H).

5. Slide the new handle assembly into the grooves. The assembly will click and the screw holes will align when fully seated into position.



- Secure the handle to the extinguisher with the four screws provided. Tighten the screws using a power screwdriver, set to 10 inch-pounds maximum.

**NOTICE:** Overtightening can result in the stripping of screws.

- Follow the Annual Inspection procedure found in the Owner's Manual to reinstall the CO<sub>2</sub> cartridge and place the extinguisher back into service.

## V. Replacing Valve Assembly

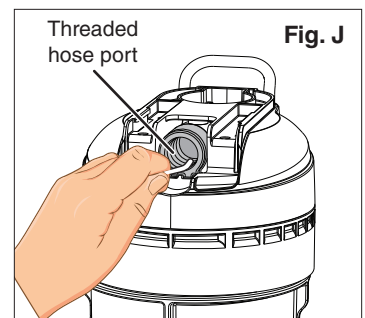
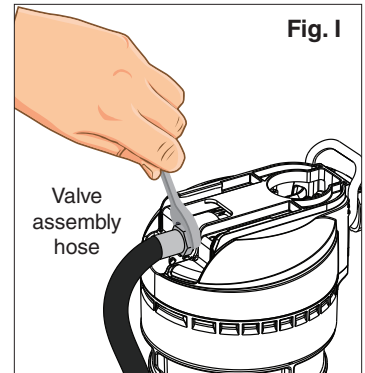
*Tools required: power screwdriver, T25 tamper-resistant TORX\* bit, 13/16 open-end wrench or adjustable crescent wrench, small brush or pipe cleaner*

**NOTE:** Be sure you are replacing the valve assembly with the correct one for your model.

- Remove the handle, following steps 1 through 4 of the Replacing Handle Assembly instructions on page 3, and set handle aside for later use.
- Using a 13/16 open-end wrench, loosen the hex fitting on the end of the hose attached to the discharge head (Fig. I). Spin the hose counterclockwise until the valve assembly is completely detached from the discharge head. Discard any damaged parts.
- Before installing the new valve assembly, clean the threaded hose port with a small brush or pipe cleaner (Fig. J).
- Insert the threaded end of the new valve assembly hose into the hose port and turn the hose clockwise until the hex fitting no longer turns.

**NOTE:** If the hose is hard to turn, you have not threaded it correctly. You must remove the hose and reinstall it.

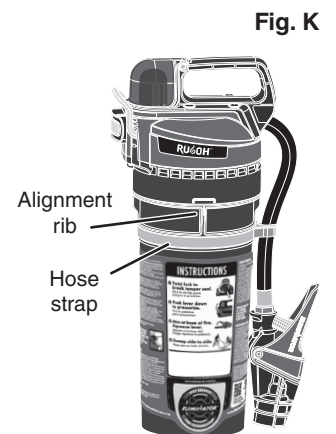
- Using a 13/16 open-end wrench or adjustable crescent wrench, tighten the hex fitting of the hose until secure and flush against the discharge head.
- To confirm the attachment is secure, make sure the hose can swivel in both directions without loosening the hose thread connection to the discharge head.
- Reinstall handle assembly, following steps 5 and 6 of the Replacing Handle Assembly instructions beginning on page 3.
- Follow the Annual Inspection procedure found in the Owner's Manual to reinstall the CO<sub>2</sub> cartridge and place the extinguisher back into service.



## VI. Replacing Instruction Label

**NOTE:** Be sure you are replacing the label with the correct one for your model.

- Peel the old instruction label off of the agent cartridge.
- Before applying the new label, clean the agent cartridge surface with soapy water. If any adhesive residue remains, remove it with acetone. Do not use alcohol-based cleaners. Allow the unit to dry thoroughly.
- Carefully remove the protective backing from the new instruction label without touching the adhesive.
- Position the label on the agent cartridge below the hose strap, centering it with the red alignment rib on the agent cartridge (Fig. K).
- Gently apply pressure down the center of the label to tack it into position. Then carefully press the label down from the center to the edges to avoid trapping air bubbles beneath the label.
- Verify the instructions on the new label are legible and undamaged after installation.



## VII. Reloading Information

After each use, the Rusoh® Eliminator® fire extinguisher must be reloaded with a new CO<sub>2</sub> cartridge and a new agent cartridge. Reload the extinguisher only with the correct Rusoh® Eliminator® Reload Kit for your model.

**NOTICE:** DO NOT remove the agent cartridge unless the unit is discharged and requires reloading. Uninstalling and then reinstalling the same agent cartridge could contaminate the sealing ring and potentially reduce the effectiveness of the Eliminator® fire extinguisher.

**⚠ WARNING!** DO NOT refill and attempt to reuse the agent cartridge. It is designed to be factory filled and factory sealed to meet performance specifications. Failure to maintain these performance specifications could result in serious injury or equipment failure.

**Uninstalling and then reinstalling or refilling the agent cartridge will void your warranty.**

- To reload, follow each step of the Eliminator® Reloading Procedure supplied with the reloading kit.
- **IMPORTANT:** The Reloading Procedure must be performed by an individual who has read the reloading kit instructions, watched the reloading kit video, or is an Eliminator® fire extinguisher dealer.
- **CAUTION!** Failure to comply with the Eliminator® Reloading Procedure will void the warranty and may result in property damage and/or bodily harm. **Reload only with the genuine Eliminator® Reloading Kit for your Eliminator® model number.**
- Immediately after the extinguisher has been discharged, discard the agent and CO<sub>2</sub> cartridges following the disposal procedure described below. Replace both cartridges according to the instructions provided with the reloading kit.
- If the CO<sub>2</sub> cartridge or the agent cartridge is damaged, replace the cartridge according to the instructions supplied with the reloading kit.
- The weight of your Rusoh® Eliminator® fire extinguisher (with the CO<sub>2</sub> cartridge) is marked on the discharge head.
- Heft the extinguisher. If it feels light, weigh it. If it is below the indicated weight, both the agent cartridge and the CO<sub>2</sub> cartridge will need to be replaced. Follow the instructions supplied with the reloading kit.
- If the CO<sub>2</sub> cartridge is punctured, replace the cartridge according to the instructions supplied with the reloading kit.
- To order an Eliminator® Reloading Kit, call 1-800-318-2944 or visit [www.rusoh.com](http://www.rusoh.com).

## VIII. Disposal Procedure

**⚠ DANGER!** If the extinguisher is damaged and has not been discharged, do not pressurize the unit or puncture the CO<sub>2</sub> cartridge. Serious injury could occur if a damaged fire extinguisher is pressurized and ruptures. Call 1-800-318-2944 and speak with a technical representative.

**IMPORTANT:** Disposal must be performed in strict compliance with state and local waste disposal policies. Please contact your local waste disposal center, recycling center, hazardous waste authorities, or the Rusoh Customer Service Department at 1-800-318-2944 for details. You can also search [Earth911.com](http://Earth911.com) for a recycling solution near you.

**Do not dispose of the Eliminator® fire extinguisher in a regular trash receptacle.**

1. If the Eliminator® fire extinguisher has been used and is undamaged, take it outside to verify it has been fully discharged. Follow the T-P-A-S-S instructions in your Owner's Manual, even if you believe that you have previously discharged the unit. Aim the discharge near trees or bushes that have a higher resistance to acidic-type fertilizer. Avoid flowers and grasses.
2. Remove the CO<sub>2</sub> cartridge from the Eliminator™ discharge head and confirm it is punctured. If it is not, return the cartridge to the unit and repeat the discharge procedure outlined in step 1 above.
3. Place the punctured CO<sub>2</sub> cartridge in any recycling bin that accepts metals.
4. Place the extinguisher in a plastic recycling receptacle.

## IX. Replacement Parts and Accessories

The following replacement parts can be ordered by calling the Rusoh Customer Service Department at 1-800-318-2944:

Inspection Tags	PN 76-213
Tamper Seals (indicator)	PN 81-534
Rusoh™ Fluffing Wheel	PN 81-584
Hose Strap	PN 81-533
Valve Assembly (model specific)	PN 81-532 for PN 79-590 for Model # 0930001 (includes hose) PN 81-600 for PN 1124-009 for Model # 0930002 (includes hose)
Handle Assembly	PN 81-502
Instruction Label (model specific)	PN 68-442 for Model # 0930001 PN 1124-027 for Model # 0930002
Wall Mount	PN 81-501 (replacement for mount PN 40-392)

The following accessories can be ordered at [www.rusoh.com](http://www.rusoh.com) or by calling the Rusoh Customer Service Department:

Fluffing Wrench	PN 81-524
Marine Bracket‡	PN 85-995 (replacement for bracket PN 40-393 and PN 40-404)

**NOTE:** Marine rating is valid only when the extinguisher is installed into an approved marine bracket.

‡ The marine bracket secures the Eliminator® fire extinguisher with a quick-release strap to prevent movement and/or dislodging for mobile applications, horizontal installations, and other locations requiring fully constrained mounting.

For reloading, order one reload kit for each discharged extinguisher. A wrench set is required to perform the reloading procedure.

Reloading Kit (model specific)	PN 85-994 for Model # 0930001 PN 81-568 for Model # 0930002
Reloading Wrench Set	PN 81-500 (includes one cartridge wrench and one bar wrench)

## Customer Service Information

If you have any questions regarding the operation of your Rusoh® Eliminator® fire extinguisher, contact us by any of these methods:

- Call 1-800-318-2944 weekdays 8:00 AM to 4:00 PM (Central Time)
- Email us at [contact@rusoh.com](mailto:contact@rusoh.com)
- Write: Rusoh, Inc.  
Customer Service Department  
3925 North Hastings Way, Eau Claire, WI 54703-3703

Inquiries will be answered promptly by telephone, email, or letter. When emailing or writing, please include a phone number and a time when you can be reached during weekdays.

When contacting the Customer Service Department, please indicate the model and serial numbers for the extinguisher. These numbers can be found on the white label on the back of the discharge head. Please record this information:

Model Number \_\_\_\_\_ Serial Number \_\_\_\_\_ Date Purchased \_\_\_\_\_



**RUSOH**  
INC.  
[www.rusoh.com](http://www.rusoh.com)